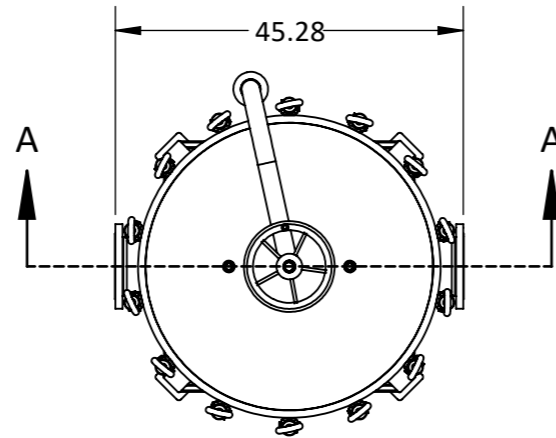
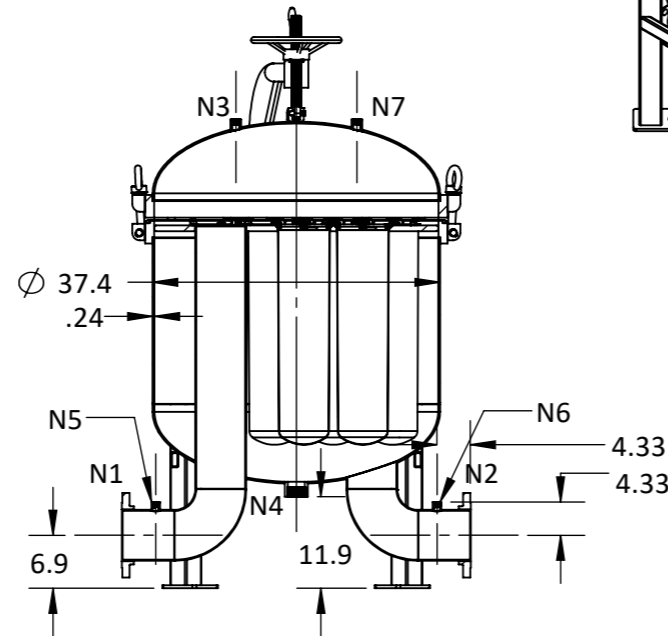
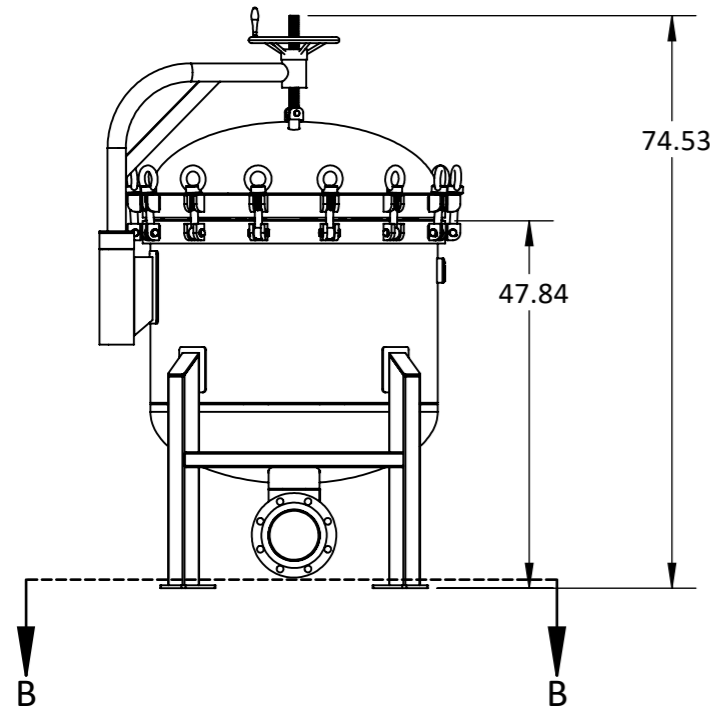
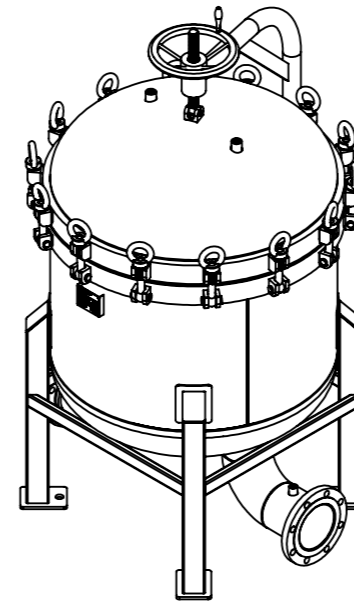


SECTION B-B



SECTION A-A



DESIGN DATA			
Design Code	BEP	Fluid	All
Stamp	None	Service	Non-Lethal
Design Pressure (psig)	150	Design Temp (°F)	300
Op. Pressure (psig)		Op. Temperature (°F)	
Hydro Test Press. (psig)	225	Closure Style	Bolted
Shell Material	C.S.	Flange Material	C.S.
Leg Material	C.S.	Bolting Material	CrMo
Gasket Style	O-Ring	Gasket Material	Buna
Weight (lb)	1187	Weld Joint Efficiency (%)	85
Surface Treatment	Bead Blast	Corrosion Allowance (mm)	0
Surface Finish	Epoxy	RT/UT	None

FILTRATION DATA			
Design Flow (gpm)		Fluid Density (s.g.)	
Filtration Process	Bag	Fluid Viscosity (cp)	1-50
Filtration Rating		Solids	Unknown
Element Type	All	Solids Density (s.g.)	Unknown
Element Material		Solids Loading (ppm)	Unknown
Filtration Area (f²)	52.8	#/Size of Elements	12xSize 2
Clean ΔP (psig)		Max. ΔP (psig)	

NOZZLE DATA				
Mark	Function	Size	Specification	Connection Style
N1	Inlet	6"	B16.5 150#	RFSO
N2	Outlet	6"	B16.5 150#	RFSO
N3	Vent	0.5"	B1.20.1	FNPT
N4	Drain	2"	B1.20.1	FNPT
N5	Gauge	0.5"	B1.20.1	FNPT
N6	Outlet Gauge	0.5"	B1.20.1	FNPT
N7	Spare	0.5"	B1.20.1	FNPT

NOTES:

PROJECTION: THIRD ANGLE					
UNLESS OTHERWISE SPECIFIED ALL DIMENSIONS IN (in) BREAK SHARP CORNERS TO R.02in REMOVE ALL BURRS AND SLAG SURFACE FINISH: DIMENSIONAL TOLERANCES:					
ANGLE	X.	.X	.XX	.XXX	AI
±0.5°	±	±	±	±	CST

SIG	DATE
JFP	1/20/2018
DRW	
CHK	
MFG	N/A
APR	
AI	N/A
CST	N/A

MODEL MBB-12-6-F-B-C-15	
TITLE BAG FILTER HOUSING, 12 BAG	
MATERIAL	CARBON STEEL
PROD. CODE	BF/SE-1202-1150A10N-4E1EB
ERP CODE	-

W.O. NO.	-			
TAG NO.	N/A			
WG. (lb)	-			
SIZE	SHEET	OF	SCALE	REV.
A3	1	2	1:25	P1
DRAWING NO. LFH500-00-0001276				

REVISIONS				
REV	DESCRIPTION	DATE	BY	APPR
P1	For General Use	1/20/2018	JFP	