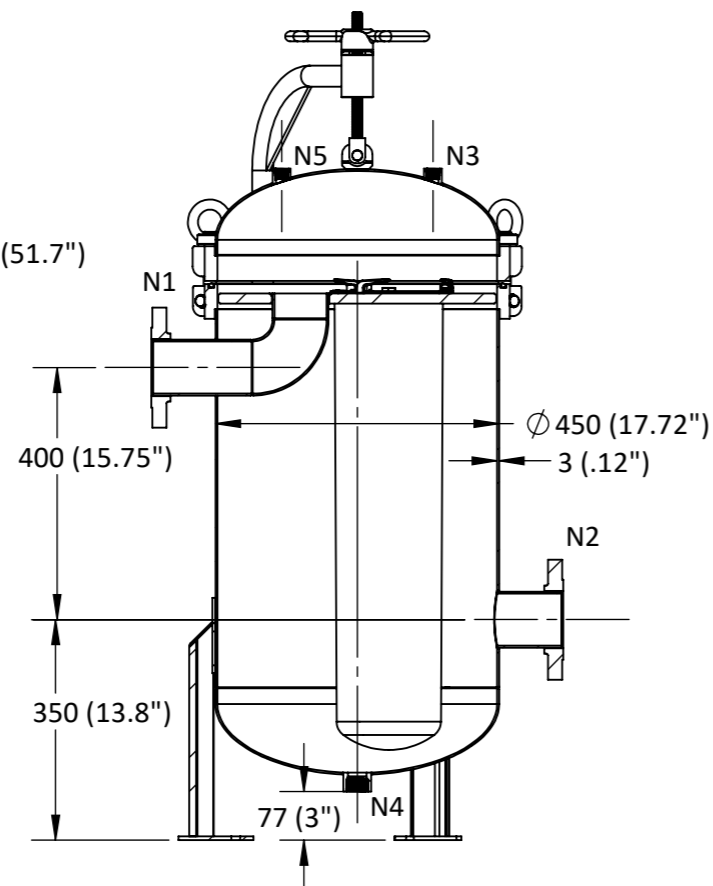
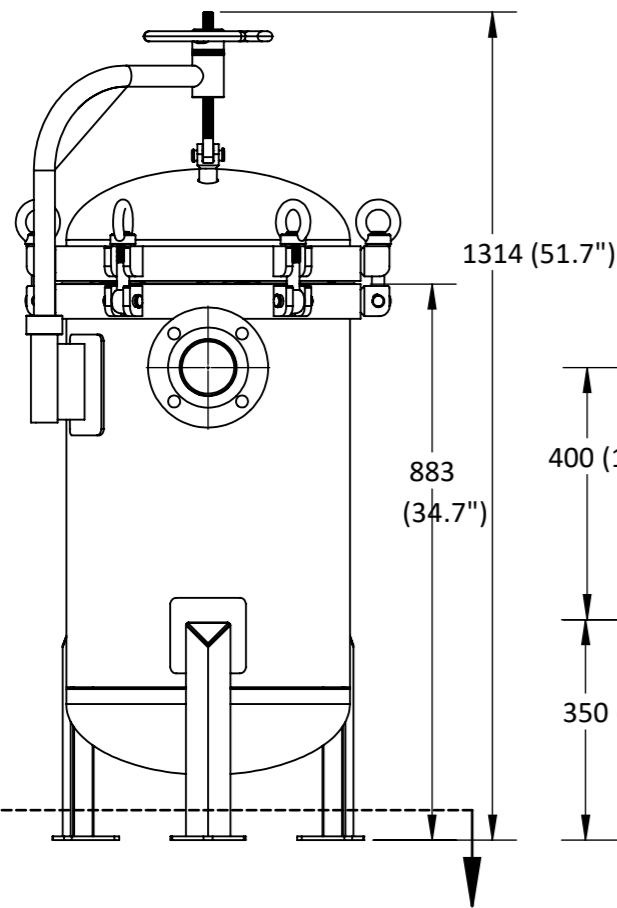
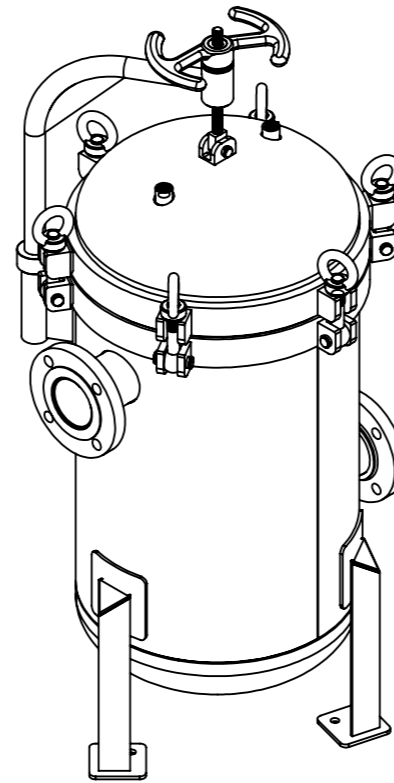
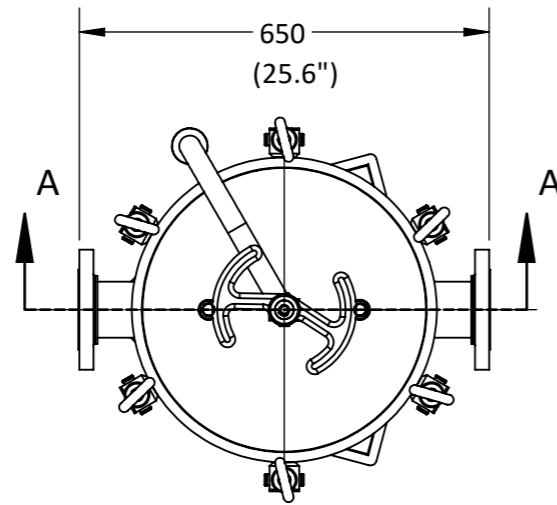


SECTION B-B



SECTION A-A

B

B

- NOTES:
1. A SURFACES TO BE PICKLED AND PASSIVATE AFTER WELDING.
 2. FINAL FINISH TO BE BEAD BLASTED.
 3. DESIGN AND TESTING IN ACCORDANCE WITH BEST INDUSTRIAL PRACTICES.

PROJECTION: THIRD ANGLE						
UNLESS OTHERWISE SPECIFIED ALL DIMENSIONS IN (mm) BREAK SHARP CORNERS TO R0.5mm REMOVE ALL BURRS AND SLAG SURFACE FINISH: 3.2 μm DIMENSIONAL TOLERANCES:						
ANGLE	X.	.X	.XX	.XXX	AI	N/A
±0.5°	±2	±1	±0.5	±0.2	CST	N/A

SIG	DATE
JFP	1/20/2018
DRW	
CHK	
MFG	N/A
APR	

MBB-2-3-F-A-4-15	
TITLE	
BAG FILTER HOUSING, 0202 SISO 3"	
MATERIAL	304 SS
PROD. CODE	-
ERP CODE	

W.O. NO.	-				
TAG NO.	N/A				
WG. (lb)	-				
SIZE	SHEET	OF	SCALE	REV.	
A3	1	2	1:12	P1	
DRAWING NO.					
LFH500-00-0001275					

DESIGN DATA

Design Code	BEP	Fluid	All
Stamp	None	Service	Non-Lethal
Design Pressure (psig)	150	Design Temp (°F)	300
Op. Pressure (psig)		Op. Temperature (°F)	
Hydro Test Press. (psig)	225	Closure Style	Eye Bolts
Shell Material	304 SS	Flange Material	304 SS
Leg Material	304SS	Bolting Material	CrMo
Gasket Style	O-Ring	Gasket Material	EPDM
Weight (lb)	255	Weld Joint Efficiency (%)	85
Surface Treatment	Pickle & Passivate	Corrosion Allowance (mm)	0
Surface Finish	Bead Blast	RT/UT	None

FILTRATION DATA

Design Flow (gpm)		Fluid Density (s.g.)	All
Filtration Process	Bag	Fluid Viscosity (cp)	1-50
Filtration Rating	99@>10μ	Solids	Unknown
Element Type	All Bags	Solids Density (s.g.)	Unknown
Element Material	All	Solids Loading (ppm)	Unknown
Filtration Area (f ²)	8.8	#/Size of Elements	2xSize 2
Clean ΔP (psid)		Max. ΔP (psid)	

NOZZLE DATA

Mark	Function	Size	Specification	Connection Style
N1	Inlet	3"	B16.5 150#	RFSO
N2	Outlet	3"	B16.5 150#	RFSO
N3	Vent	1/2"	B1.20.1	FNPT
N4	Drain	1"	B1.20.1	FNPT
N5	Gauge	1/2"	B1.20.1	FNPT

REVISIONS

REV	DESCRIPTION	DATE	BY	APPR
P1	For General Use		JFP	